

# TWISTER

rotating anchor

Rotating anchor device to prevent twisting of other system components.

## DESCRIPTION



Durable light alloy body.

Placed between a load and either rope or cable, the twister avoids severe rope twisting while the load turns. Ball bearing allows rotation up to 4 kN load ( $\approx$  400 kg).

## KEY FEATURES

■ durable light alloy body

## STANDARDS

CE 2777  
EN 354

## FEATURES



ball  
bearing



strength  
22 kN



WLL

4 kN



88 g



unique  
number



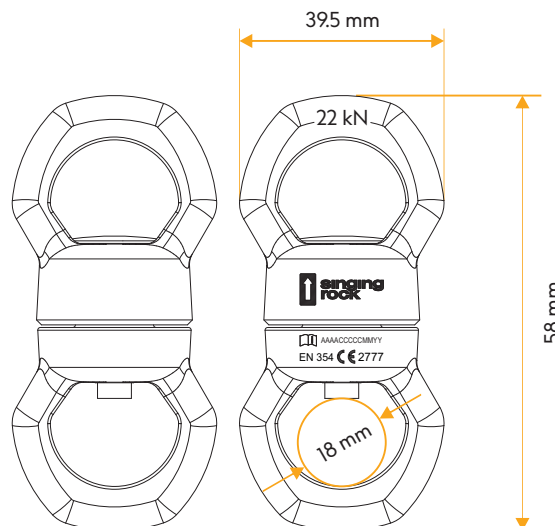
2  
YEARS  
warranty

## MATERIAL COMPOSITION



- 70 % light alloy
- 29 % stainless steel
- 1 % plastic

## TECHNICAL DATA



AAAACCCCMYY

AAAA – unique serial number  
CCCC – product code  
MMYY – month and year of production

