

PULLEY SMALL

RK800EE00
RK800BB00 (black)

Small pulley for textile ropes.

CE 1019

EN 12 278:2007



orange



black matt

WEIGHT: 92 g (3.3 oz)
ROPE: textile max. \varnothing 13 mm
COLORS: orange (RK800EE00)
black matt (RK800BB00)

MATERIAL:
Sheave: aluminum alloy
Side plates: aluminum alloy
Friction bearing: brass
Axle: stainless steel

For better traceability and inspection this part is marked with the unique number.

XXXX - MMY

Serial no. ↑ month ↑ year of production



Reading and understanding instruction for use are required to use this product!
Bez důkladného pročetí a pochopení návodu k použití nepoužívejte tento výrobek

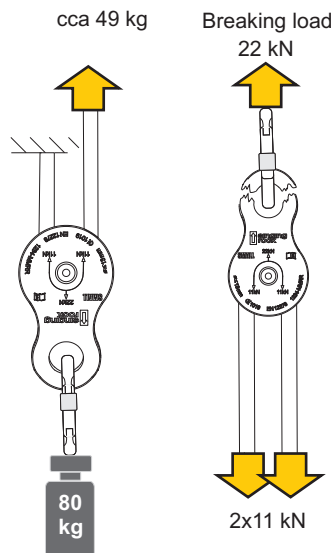
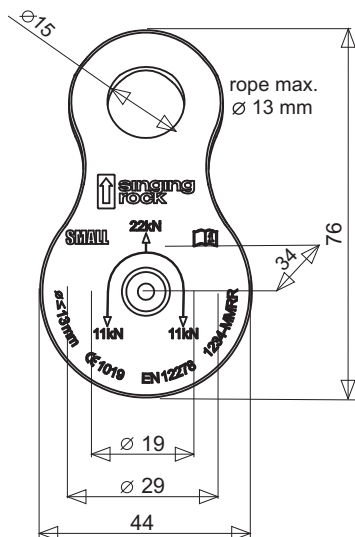


2 years guarantee
2 roky záruka

For those who occasionally need to build simple hauling systems or manipulate with the objects. An essential gear for glacier tours in case of crevasse rescue. Suitable also for Prusik friction knot.

- lightweight single pulley for hauling and rescue
- brass self lubricating bearing ensures reliable efficiency up to 81 %
- suitable for use with a Prusik friction knot
- unique production number marking
- available also in a black color (RK800BB00)

Technical data



singing rock

SAFETY FIRST